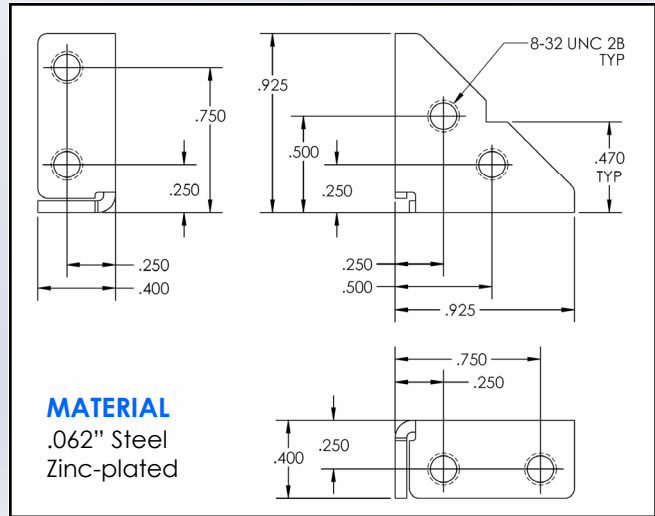
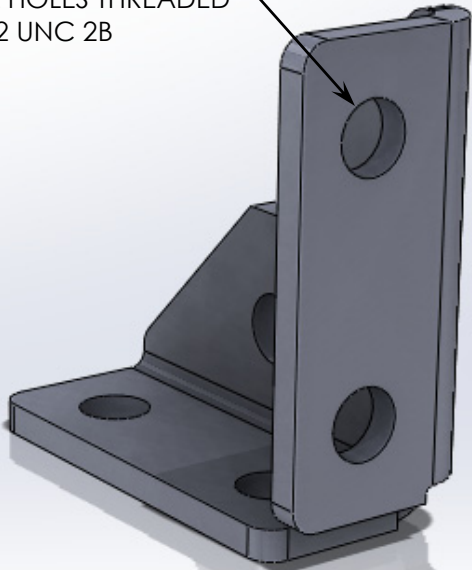


VERSA-BRACKET

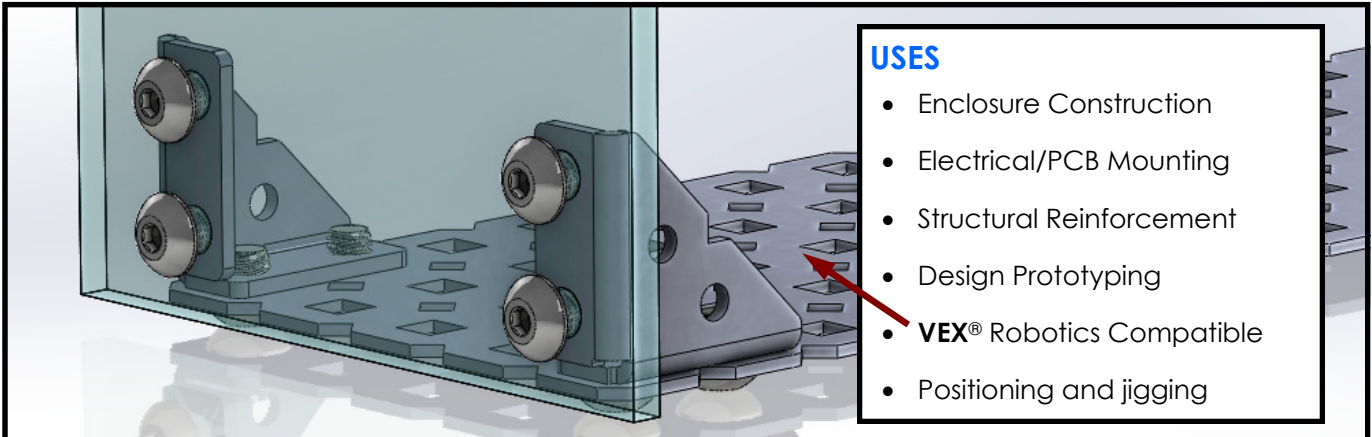
Threaded right-angle and corner structural bracket

ALL HOLES THREADED
8-32 UNC 2B

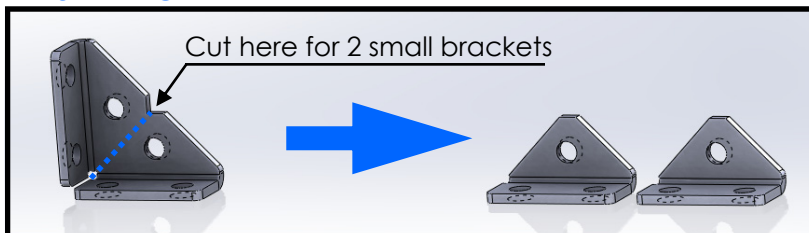


STRONG • INEXPENSIVE • NO NUTS REQUIRED!

ASSEMBLY EXAMPLE



EASILY MODIFIED



ADVANTAGES

- Pre-threaded
- Accurate tolerances
- Right-angle reinforcement
- Reduces part complexity
- Easy installation
- Strong & reusable threads